




# CESYCO

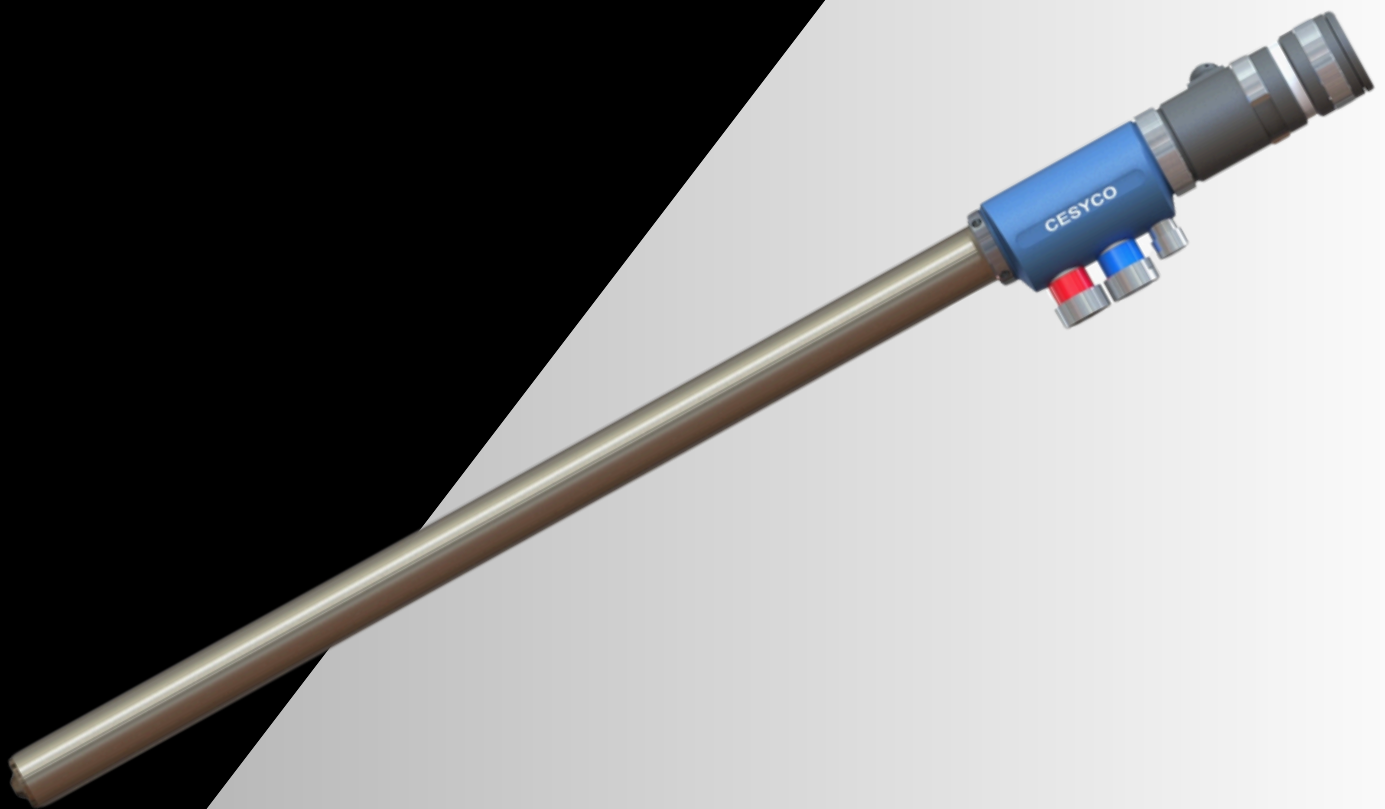


## HTO38

### PORTABLE OPTICAL ENDOSCOPE

 38 mm

 2 000 °C



**1080p**  
**FULL HD**



## ESYCO Highlights

- High-temperature inspections in bright light
- Easy to handle, small diameter and lightweight
- Portable endoscope compatible with fixed systems



## ADVANCED COOLING SYSTEM

- Water cooling (Vortex effect): Protects the optical rod and dissipates heat evenly.
- Air cooling (Venturi effect): Preserves and continuously cleans the front lens, even at high temperatures.



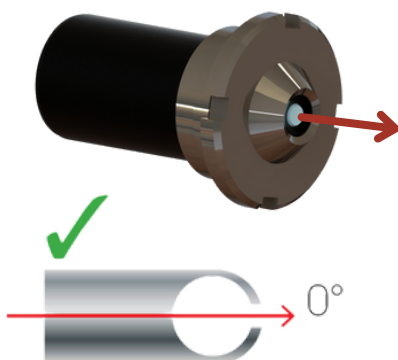
## OPTICAL IMAGE TRANSMISSION



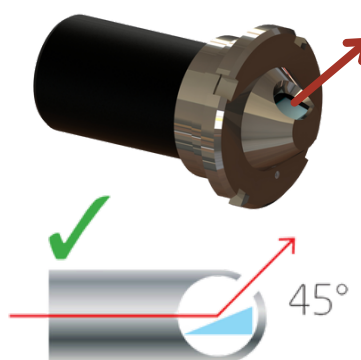
- Compatible with video cameras and SLR cameras through adapters and an eyepiece provided with the endoscope. These three components are interchangeable.
- High-quality images are achieved through a precisely aligned lens system.

Various optical lenses offer distinct viewing directions (as detailed below) and provide a 60° field of view, which corresponds to the surface area being observed.

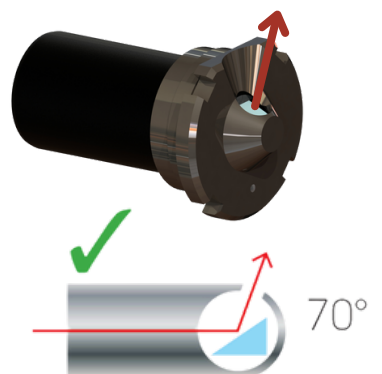
### AXIAL 0°



### LATERAL 45 DEGREES



### LATERAL 70 DEGREES





## 360° ROTATION

Allows easy handling without damaging connecting pipes.

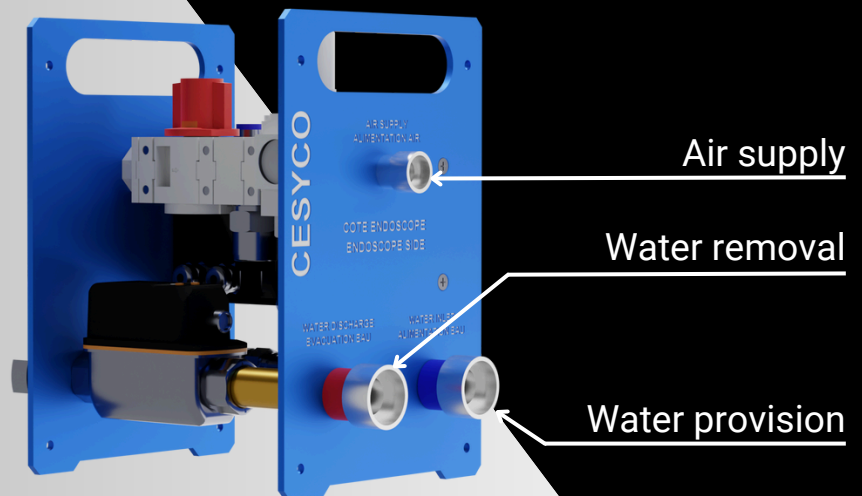
Length of 900 mm, 1,200 mm, or 1,600 mm



## Equipment:

### SAFETY STATION

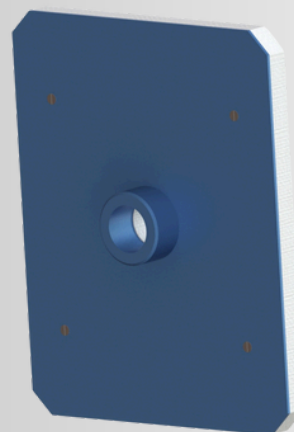
Automated monitoring of air pressure, water flow, and outlet water temperature. Any anomaly triggers an immediate audible and visual alarm (low pressure, insufficient flow, or overheating).



### THERMAL SHIELD

Composed of two layers: an aluminum plate mounted on a ceramic fiber insulator. Wall-mounted for fixed endoscopes, or directly on the endoscope for portable models.

- Reinforced protection against high temperatures and thermal radiation.



Technologies	Image transmission	Optical
	Cooling system	Triple sheath
Operating temperature	Up to 2,000 degrees Celsius	
Dimensions	Diameter	38 mm
	Length	900 mm, 1200 mm, 1600 mm
	Weight	7 kg to 15 kg
Cooling system	Water	Vortex (closed loop)
	Air	Venturi (lost)
Air and water housing	Rotation	Total 360 Degrees
Vision	FOV	60°
	Direction	0°, 45°, 70°
Focus	manual focus ring	
Connections	Inlet/Outlet	Water: BSP 1/2"
		Air: BSP 3/8"
Accessories	Control and security	Safety station
		Thermal shield